

Specification

Model	TR-D2121IR3W
Image sensor	1/2.7" CMOS 2MP
Resolution	FullHD(1920x1080)
Frame rate	FullHD@25fps
Electronic shutter speed	1/2 ~ 1/1 000 s
Day/Night mode	Mechanical ICR
Sensitivity	0.005Lux (F1.8)
IR range	up to 35 m
Lens (mm)	2.8 / 3.6
Field of view (horiz./vert.)	2.8mm: 100°±5° / 54°±5° 3.6mm: 82°±5° / 44°±5°
WDR	Real WDR (120dB)
Digital Noise Reduction	3D DNR
Video compression	H.265+ / H.265 / H.264+ / H.264
Bitrate	up to 8Mbps
Local storage	MicroSD up to 128GB
Audio	Built-in microphone
Corridor mode	Yes
Wi-Fi	2.4 Ghz
IVS	Human detection Line crossing Intrusion detection
Power	12V DC
Power consumption	3.9 W
Casing material	Metal
Dimensions (mm)	183.3 x 67.3 x 63.9
Net/Gross weight (g)	460 / 565
Ingress protection	IP67
Working temperature	-40°C ... +60°C

Technical support

www: helpdesk.trassir.com
mail: helpdesk@trassir.com

TR-D2121IR3W

2MP Bullet Wireless IP camera



Data _____ Stamp _____

Here is the confirmation form for warranty assurance

Note: read user manual before using
Website: www.trassir.com
For any inquiry: info@trassir.com

Introduction

Congratulations on purchasing TR-D2121R3W IP camera.
Please read the User Manual before using the camera.

Key features

- Supports H.265+ codec
- Wide Dynamic Range (Real WDR 120dB)
- IR range up to 35 m
- Built-in video archive (Edge Storage) - local recording to MicroSD card up to 128 GB*
- Built-in microphone
- Both Wi-Fi and Ethernet video transmission
- TCP/IP, HTTP, FTP, DHCP, DNS, DDNS, RTP, RTSP, RTCP, UPnP, SMTP, NTP, PPPoE protocols
- 12V DC power supply

* MicroSD card is not included into camera package

Camera package

1. IP camera 1 pc.
2. User Manual 1 pc.
3. Screw Set 1 pc.
4. Screw Driver 1 pc.
5. Wi-Fi Antenna 1 pc.

Attention!

The power supply should meet the following requirements: output voltage, current, polarity, and working temperature. When using the camera in thunderstorm conditions, make sure there is a lightning rod or unplug the power connector.
Pay attention to the temperature requirements for IP camera operation. Avoid using the device in excessively high or low temperatures. Do not install the camera near heaters. Do not point the camera lens at the sun or at bright objects as this can damage the image sensor.

Quick start

1. Plug in power adaptor from a package. Camera will turn on in a minute.
2. Create your user account at cloud.trassir.com.
3. Download TRASSIR app for your smartphone from Google Play or AppStore.
4. Launch TRASSIR app and sign in to your account.
5. *Settings > Add camera > TRASSIR >* then follow the instructions in the application.

* IP cam's WiFi password: 12345678

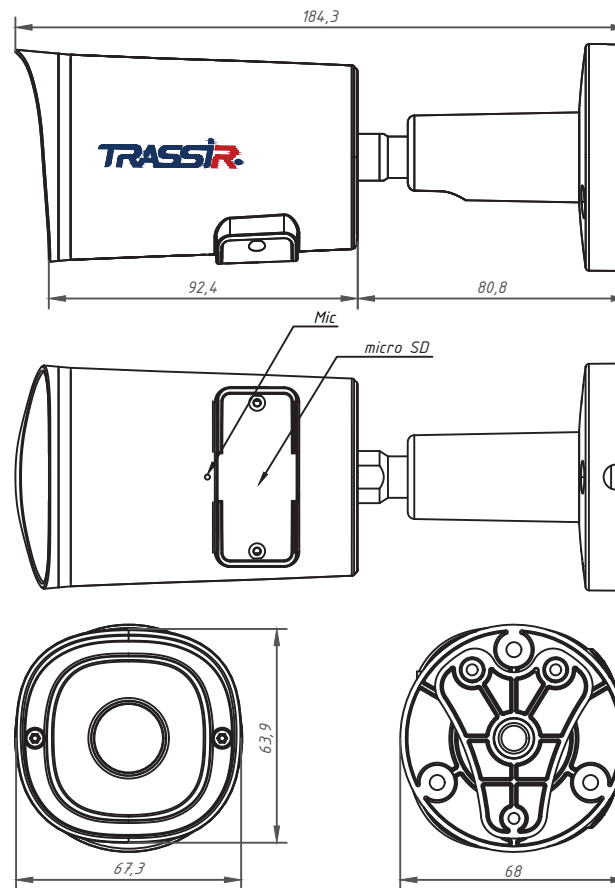


AppStore



GooglePlay

Dimensions



Manual setting of network parameters

In order to connect to the IP camera, the PC should be in the same local network as the camera. The IP address of the camera, the PC and any other device on the network should not match.

The IP camera has the following default settings:

- IP address: 192.168.1.188
- Subnet mask: 255.255.0.0
- Gateway: 192.168.1.1
- HTTP-port: 80
- username: admin
- password: admin

PC network settings example:

- IP address: 192.168.1.10;
- Subnet mask: 255.255.0.0.

There are 3 options to set up your camera:

1. Change IP address of a camera manually.
Start your browser, connect to IP camera and enter your username and password. Choose appropriate menu item and change network settings of IP camera.
2. Set up camera IP address using fast configuration utility that can be downloaded from www.trassir.com.
3. Change IP camera settings using TRASSIR professional software.

You can find detailed camera settings instructions in User Manual that can be downloaded from trassir.com.